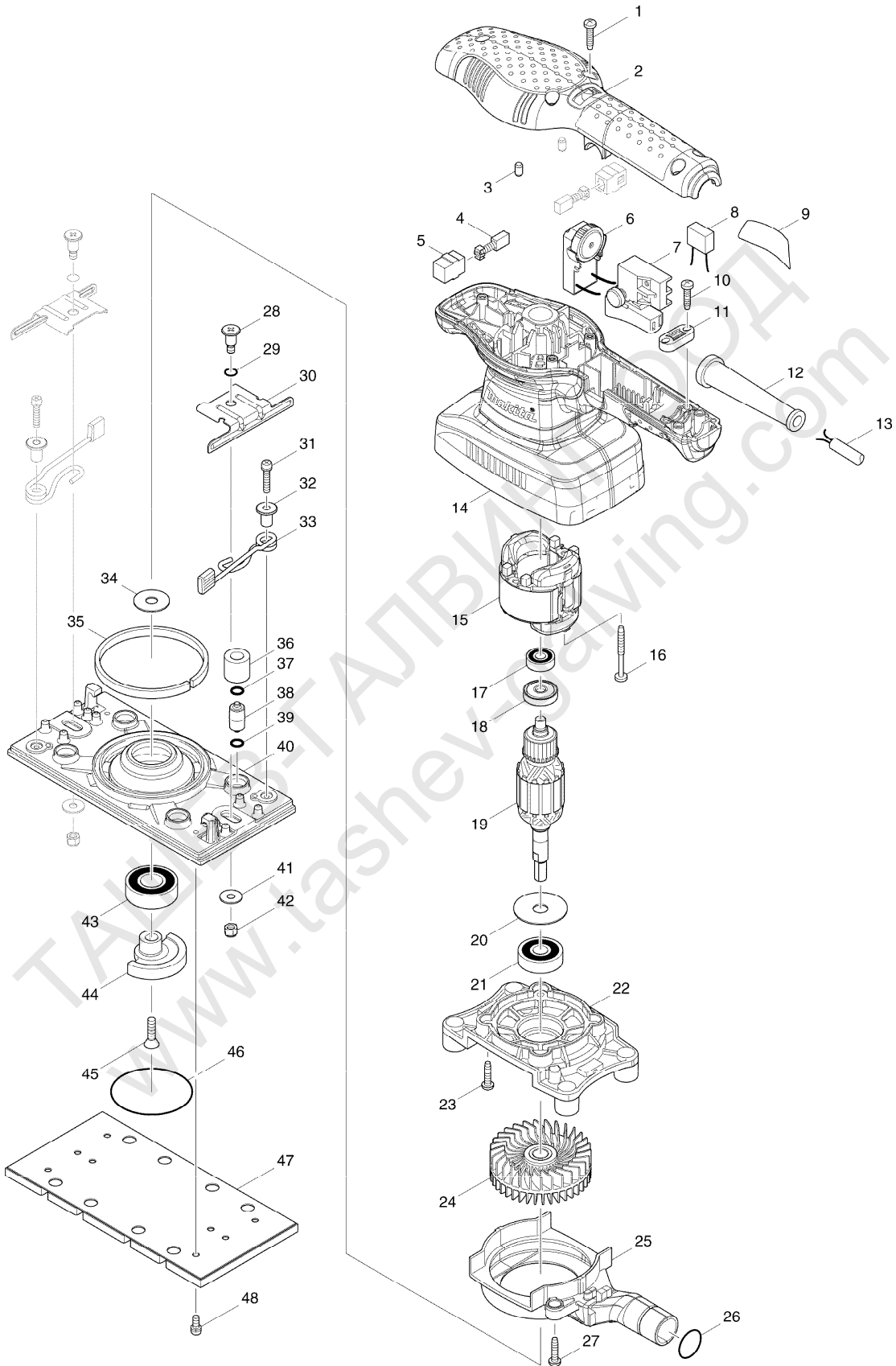


SERVICE DRAWING

MODEL NO. BO3711



SPARE PARTS LIST

MODEL NO. BO3711

ITEM	PART NO.	DESCRIPTION	QTY	NOTE
001	265995-6	TAPPING SCREW 4x18	5	
002	451269-3	TOP COVER	1	
003	263002-9	RUBBER PIN 4	2	
004	191627-8	CARBON BRUSH CB-64	1	
005	643552-4	BRUSH HOLDER 5-8	2	
006	631906-7	CONTROLLER BO3711	1	
007	651286-5	SWITCH SGEL206C-5	1	
008	645239-4	NOISE SUPPRESSOR	1	
009	867006-9	BO3711 NAME PLATE	1	
010	265995-6	TAPPING SCREW 4x18	2	
011	687124-5	STRAIN RELIEF	1	
012	682569-2	CORD GUARD 8-85	1	
013	665383-1	POWER SUPPLY CORD 1.0-2-2.0	1	
014	451270-8	Motor Housing	1	
015	593708-8	FIELD ASSEMBLY 220-240V	1	
016	266048-4	TAPPING SCREW 4x40	2	
017	210062-2	BALL BEARING 607ZZ	1	
018	681652-2	INSULATION WASHER	1	
019	515784-2	ARMATURE ASS'Y INC. 17,18,20,21	1	
020	253180-3	FLAT WASHER 10	1	
021	211087-9	BALL BEARING 6200DDW	1	
022	451266-9	BEARING BOX BO3710/11	1	
023	265995-6	TAPPING SCREW 4x18	4	
024	240117-9	Fan	1	
025	451267-7	FAN GUIDE	1	
026	213315-8	O RING 19	1	
027	265995-6	TAPPING SCREW 4x18	2	
028	266511-7	+ FLAT FILLISTER HEAD SCREW M5	2	
029	213045-1	O RING 6 AN711/911H	2	
030	346102-1	PAPER CLAMP	2	
031	911136-9	PAN HEAD SCREW M4X20	2	
032	310300-3	SPRING GUIDE	2	
033	162279-2	LEVER COMPLETE	2	
034	267353-2	FLAT WASHER 8	1	
035	423389-3	Sponge Sheet	1	
036	424056-3	Sponge sleeve 9	4	
037	213983-7	O RING 4	4	
038	318151-8	FOOT	4	
039	213983-7	O RING 4	4	
040	*****	*****	***	*****
041	253807-5	FLAT WASHER 5	2	
042	252103-8	HEX. LOCK NUT M5-8	2	
043	211228-7	BALL BEARING 6202DDW	1	
044	310301-1	BALANCER	1	
045	912222-9	COUNTERSUNK HEAD SCREW M5x16	1	
046	213656-2	O RING 53	1	
047	140146-1	Pad Complete	1	
048	911111-5	PAN HEAD SCREW M4x10	4	
A01	135327-0	Dust Box Assembly	1	
A02	451271-6	PUNCH PLATE	1	
A03	794563-3	ABRASIVE PAPER 93x228	1	